

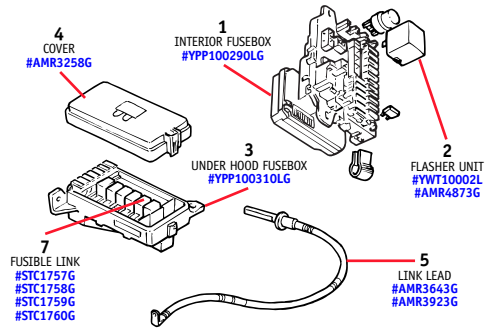
ILL. No.	Part No.	Description	Qty. Rqd.
----------	----------	-------------	-----------

## MISCELLANEOUS ELECTRICS

REMARKS LEGEND -  
 Vehicle i.d. (v) numbers:  
 SA = 1995 model year;  
 TA = 1996 model year

### MONEY-SAVING KITS NOTED IN RED TYPE

#### Fuseboxes



**6 FUSE PACK #9614**

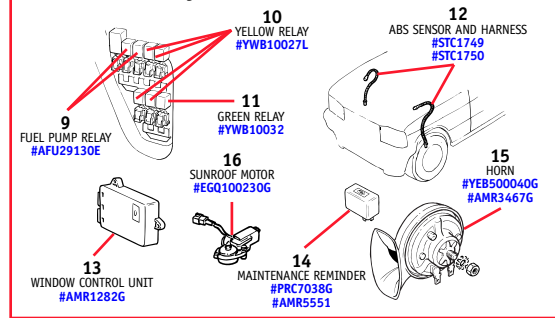
1	YPP100290LG	FUSEBOX ASSEMBLY, interior, Genuine	1
2	YWT10002L	FLASHER UNIT, heavy duty, for trailer use Through 1995 model year	1
	AMR4873G	FLASHER UNIT, heavy duty, for trailer use, Genuine	1
3	YPP100310LG	FUSEBOX ASSEMBLY, under hood, Genuine	1
4	AMR3258G	COVER, under hood fusebox, Genuine	1
5	AMR3643G	LINK LEAD, battery to under hood fusebox, Genuine	1
	AMR3923G	LINK LEAD, battery to under hood fusebox, Genuine	1
		From 1996 model year on	
6	9614	FUSE PACK, assorted ratings, spade fitment	A/R
7	STC1757G	FUSIBLE LINK, 100 amp, blue, Genuine	1
	STC1758G	FUSIBLE LINK, 60 amp, yellow, Genuine	3
	STC1759G	FUSIBLE LINK, 40 amp, green, Genuine	1
	STC1760G	FUSIBLE LINK, 30 amp, pink, Genuine	1
8	9439A	TRAILER WIRING KIT, 'FLAT 4' Includes 9439 adaptor	1
	9439	WIRING ADAPTOR, for Rover plug Wire and plug to fit trailer tow socket on car	1
9	AFU29130E	RELAY, fuel injection and fuel pump	2
10	YWB10027L	RELAY, multiple applications, yellow	A/R
	YWB10027LG	RELAY, multiple applications, yellow, Genuine	*NLA
11	YWB10032	RELAY, multiple applications, green	A/R

ILL. No.	Part No.	Description	Qty. Rqd.
----------	----------	-------------	-----------



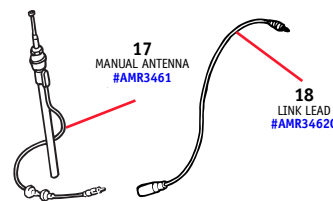
**8 TRAILER WIRING KIT #9439A**

#### Relays, Sensors and Horn



9	AFU29130E	FUEL PUMP RELAY	2
10	YWB10027L	YELLOW RELAY	1
11	YWB10032	GREEN RELAY	1
12	STC1749	SENSOR AND HARNESS ASSY, ABS, front	2
	STC1750	SENSOR AND HARNESS ASSY, ABS, rear	1
13	AMR1282G	ELECTRONIC CONTROL UNIT, window lift, Genuine	1
14	PRC7038G	RELAY, emissions maintenance reminder, Genuine	1
	AMR5551	RELAY, emissions maintenance reminder Through (v) TA194199 and TA525033 From (v) TA194200 and TA525034 on	1
15	YEB500040G	HORN, high note, Genuine	1
	AMR3467G	HORN, low note, Genuine	1
16	EGQ100230G	MOTOR ASSEMBLY, sunroof, front and rear, Genuine	2

#### Antenna



17	AMR3461	ANTENNA, audio system, manual Through (v) TA534103 and TA703236	1
	AMR3461G	ANTENNA, audio system, manual, Genuine	*NLA
18	AMR3462G	LINK LEAD, manual antenna, Genuine Through (v) TA534103 and TA703236	1

\*NLA = No Longer Available

ILL. No.	Part No.	Description	Qty. Rqd.
----------	----------	-------------	-----------



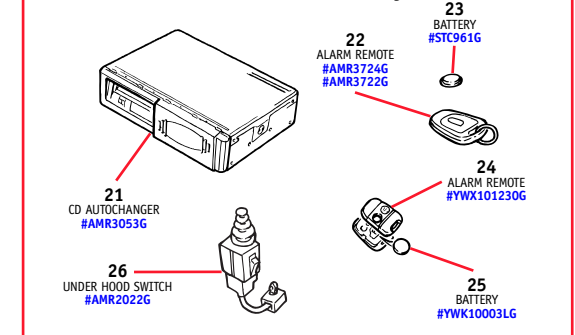
**19 ELECTRIC ANTENNA #9124 #STC8040G**



**20 LINK LEAD #LRNA4G**

19	9124	ANTENNA, audio system, electric	1
	STC8040G	ANTENNA, audio system, electric, Genuine	1
20	LRNA4G	LINK LEAD, electric antenna, Genuine	1

#### Audio and Security



21	AMR3053G	AUTOCHANGER ASSEMBLY, compact disc, Genuine	1
22	AMR3722G	REMOTE UNIT, alarm, single button, Genuine Through 1995 model year	1
23	STC961G	BATTERY, remote unit, Genuine Through 1995 model year; always change batteries in pairs	2
24	YWX101230G	REMOTE UNIT, alarm, two button, Genuine From 1996 model year on	1
25	YWK10003LG	BATTERY, remote unit, Genuine From 1996 model year on	1
26	AMR2022G	SWITCH, alarm, under hood, Genuine	1

### TECH TIP: Replacing The Radio Antenna



Replacing antennas is more difficult than you might imagine. This job requires the removal of the inner fender splash shield. Check our website for complete instructions. Note- A manual antenna cannot be replaced with a power antenna, the radios are matched to the antennas.