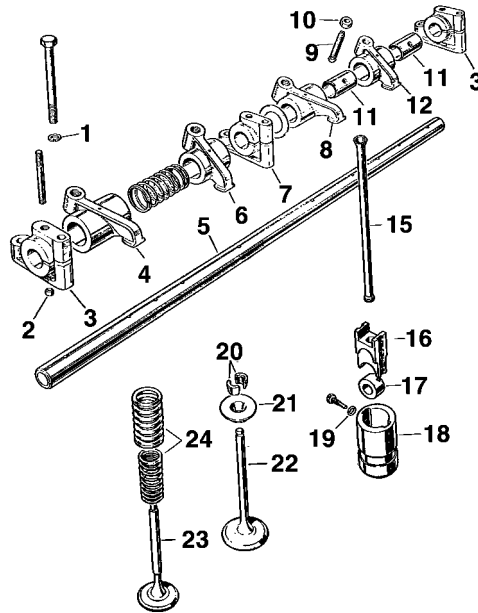


# Rocker Shaft



## VALVES & ROCKER SHAFT ASSEMBLY

Ref #	Description	Qty	Part #
1	Spring Washer	5	5690
2	Locating Dowel	4	57
3	Rocker Bracket Series II only	3	*NLA 1557
4	Valve Rocker, Exhaust LH	2	165
5	Valve Rocker Shaft IIA & III - all	1	6144
6	Valve Rocker, Inlet RH	2	168
8	Valve Rocker, Inlet LH	2	169
9	Tappet Adjusting Screw	8	6133
9	Tappet Adjusting Screw 2 Litre (54-58)	8	5412
10	Locknut for Adjusting Screw	8	5446
10	Locknut for 5412	8	*NLA 5262
11	Bush, Inlet & Exhaust Rocker	8	172
12	Valve Rocker, Exhaust RH	2	166
15	Push Rod IIA & III - all	8	1965
16	Tappet	8	6134
17	Roller	8	1962
18	Tappet Assembly, (Tappet, Roller, Guide, Bolt)	8	1966
19	Copper Washer	8	1548
20	Valve Keeper	16	187
20	Valve Keeper (48-51) - (53-58)	16	002
21	Valve Cap	8	519
22	Valve, Inlet 2-1/4 II, IIA, III	4	1783
22	Valve, Inlet 2-1/4 IIA, III Diesel	4	*NLA 1886
22	Valve, Inlet (48-51) - (53-58)	4	1776
22	Valve, Inlet 2.6 NADA	6	7260
22	Valve, Inlet 2.6 European	6	1421
23	Valve, Exhaust, Stellite 2-1/4	4	1860A

\*NLA = No longer available.

Ref #	Description	Qty	Part #
23	Valve, Exhaust 2-1/4 Non-hardened	4	1859
23	Valve, Exhaust 2-1/4 Diesel	4	*NLA 5870
23	Valve, Exhaust 2.6 NADA	6	*NLA 7261
23	Valve, Exhaust (53-58)	4	1780
not shown	Valve Seat, Exhaust 2-1/4 Diesel	4	5519
not shown	Valve Seat, Exhaust 2.6 NADA	6	603
not shown	Valve Seat Exhaust, (53-58)	4	603
24	Valve Spring, 2-1/4 IIA & III - all	8	5734
24	Valve Spring Inlet, 2.6 NADA	6	5780
24	Valve Spring Exhaust 2.6 NADA	6	5529
24	Valve Spring (53-58)	8	1972

### → CYLINDER HEAD OVERHAUL KIT, 2-1/4 PETROL

**KIT 3818**

Includes:

- 4 - #1860 Stellite Valves, 8 - #5734 Valve Springs,
- 4 - #5668 Intake Guides, 1 - #2028 Head Set,
- 4 - #5669 Exhaust Valve Guides, 4 - #1283 Intake Valves,
- 8 - #519 Valve Spring Caps, 16 - #187 Valve Keepers

\*NLA = No longer available.

**Some items in this section may be available on a special order basis or phone-order only. Please call for pricing and availability.**

