

ILL No.	Part No.	Description	Qty. Rqd.
---------	----------	-------------	-----------

BODY PANELS

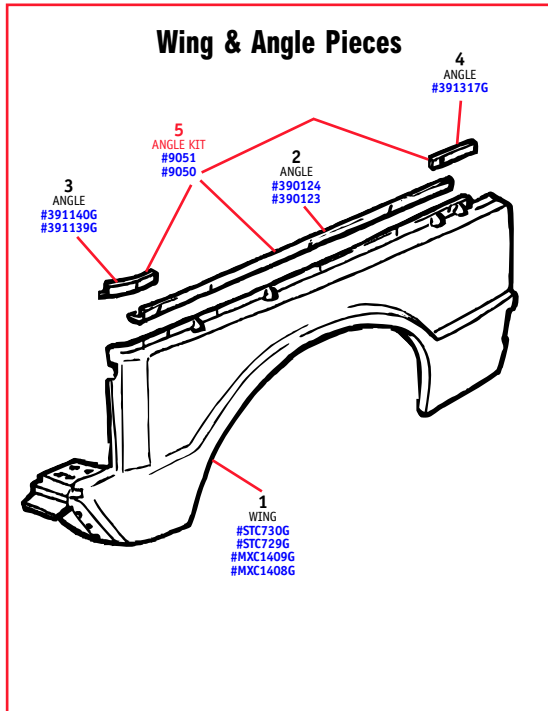
REMARKS LEGEND -

Vehicle i.d. (v) numbers:

KA = 1989 model year;

LA = 1990 model year; MA = 1991 model year.

MONEY-SAVING KITS NOTED IN RED TYPE

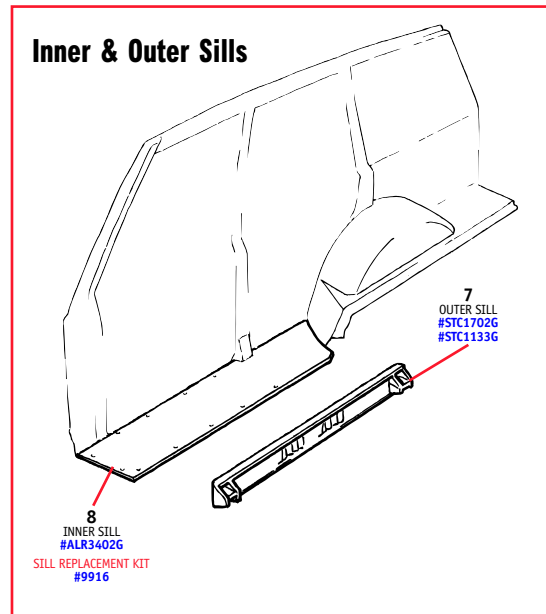


1	STC730G	WING, front, LH Up to (v) KA374641	1
	STC729G	WING, front, RH Up to (v) KA374641	1
	MXC1409G	WING, front, LH From (v) KA374642 on	1
	MXC1408G	WING, front, RH From (v) KA374642 on	1
2	390124	ANGLE, front wing, long, LH	1
	390123	ANGLE, front wing, long, RH	1
3	391140G	ANGLE, front wing, short, forward, LH	1
	391139G	ANGLE, front wing, short, forward, RH	1
4	391317G	ANGLE, front wing, rear extension	2
5	9051	ANGLE KIT, LH front wing Includes items 2, 3, 4 for LH wing	1
	9050	ANGLE KIT, RH front wing Includes items 2, 3, 4 for RH wing	1

ILL No.	Part No.	Description	Qty. Rqd.
---------	----------	-------------	-----------



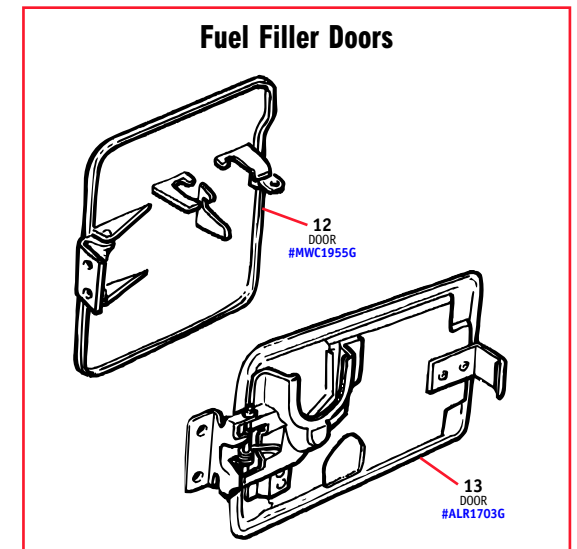
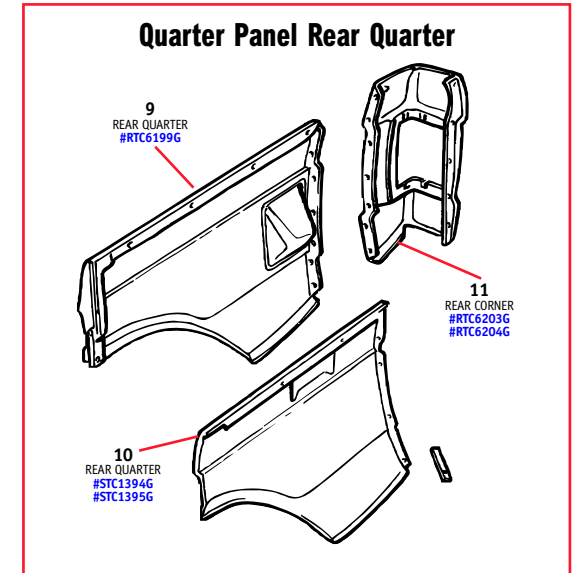
6	ALR3905G	DOOR ASSEMBLY, rear, LH From (v) KA374642 on; not LWB	1
7	STC1702G	SILL OUTER, RH Not long wheelbase	1
	STC1133G	SILL OUTER, LH Not long wheelbase	1
8	ALR3402G	SILL INNER Not long wheelbase	2
	9916	SILL REPLACEMENT KIT Not LWB; includes 2 of ALR3402G; one of STC1133G; one of STC1702G	1



PRICES SUBJECT TO CHANGE.
Call for the Latest Pricing and Availability.

ILL No.	Part No.	Description	Qty. Rqd.
---------	----------	-------------	-----------

9	RTC6199G	REAR QUARTER, bodyside, RH Up to (v) LA464553	1
10	STC1394G	REAR QUARTER, bodyside, RH From (v) MA464554 on	1
	STC1395G	REAR QUARTER, bodyside, LH	1
11	RTC6203G	REAR CORNER, RH	1
	RTC6204G	REAR CORNER, LH	1



12	MWC1955G	DOOR, fuel filler Up to (v) LA464553	1
13	ALR1703G	DOOR, fuel filler From (v) MA464554 on	1